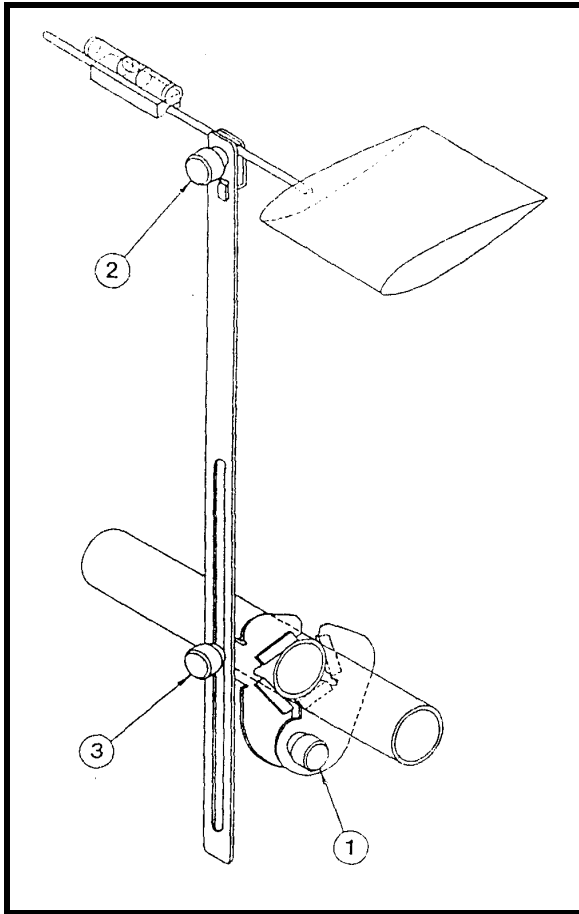


ROBART HELICOPTER BLADE PITCH METER



Instruction for flybar support

1. Clamp the flybar support to the tail boom.
2. Clamp the flybar support to the flybar
3. Adjust the sliding lever up or down until the flybar is level using the magnetic bubble level provided and tighten the nut.
4. Proceed using the Helicopter Blade Pitch Meter as per instruction below.

Blade Pitch Meter Instructions

Note: Make sure you have carefully followed your manufactures direction in set up prior to using our Helio Pitch Meter.

1. Place the meter jaws on the blade at mid-span and secure by tightening the thumb screw. The meter is mounted beneath the blade and the flybar is at 90 degree to the blade.
2. Attach the magnetic flybar level on the flybar shaft as near to the head as possible. The magnetic channel should contact the flybar shaft over its entire length. Warning: Check the bubble level channel for magnetically attracted debris and make sure it is clear.
3. Level the flybar by hand and read the angular difference directly on the meter face. Record the reading and make necessary adjustment to manufacturers specs. Repeat above steps until within spec.